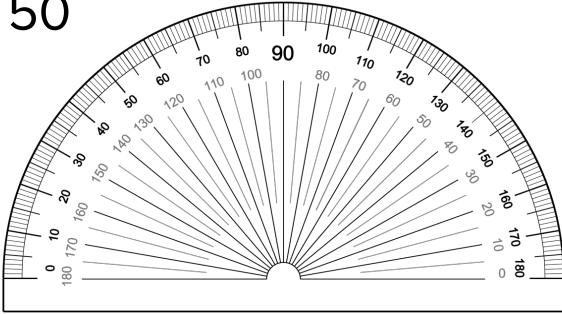


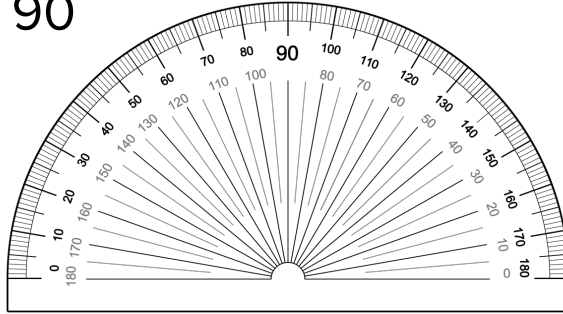
Drawing Angles

Draw the given angles on the protractor, make sure you are precise.

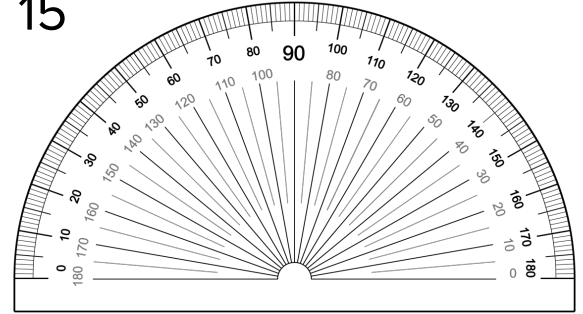
50°



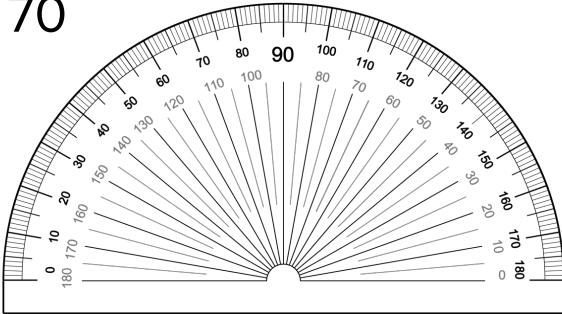
90°



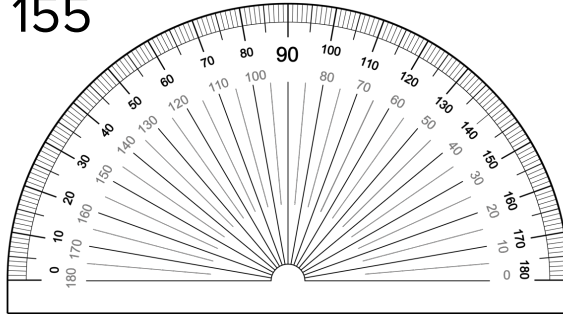
15°



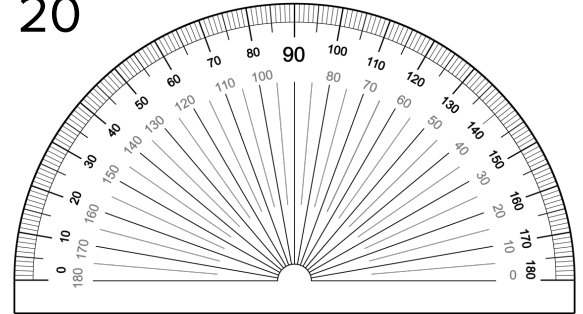
70°



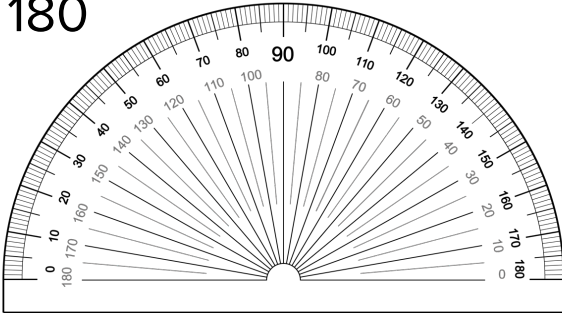
155°



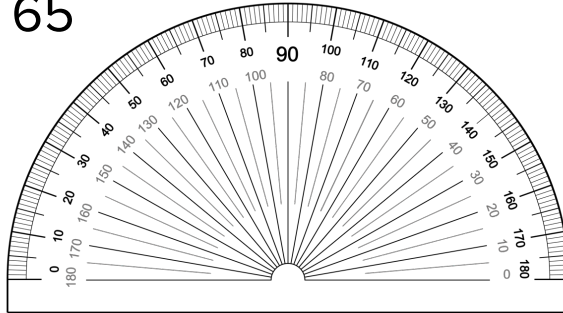
20°



180°



65°



160°

